
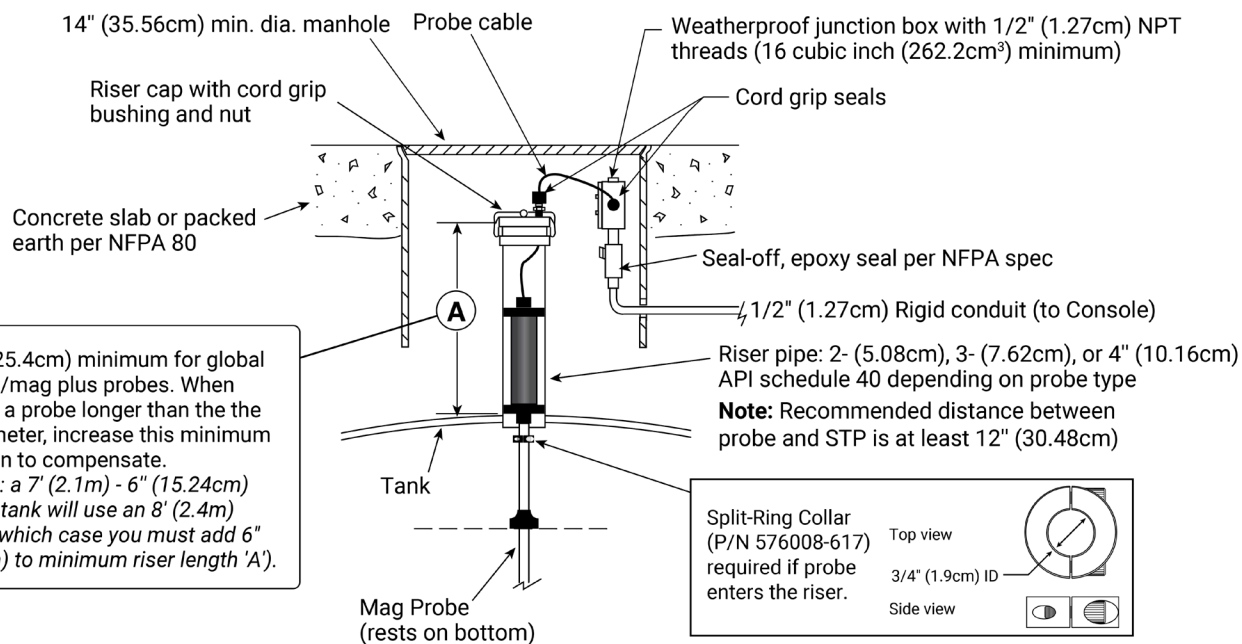


Probe Description & Product Application	Density Mag Plus In-Tank Probe for Monitoring Other Products in both USTs and ASTs					
Specific Products Monitored / Product Compatibility	Part # & Description	Approved Products	Monitoring Functionality Options			
	Leak Detection / BIR - AccuChart Probes 1. 846396-7XX Aluminum (AL) In-Tank Probe with High Grade Polymer (HGP) Canister with Water Detection & 0.1 GPH Testing Capability, UL 2. 846396-8XX AL In-Tank Probe with HGP Canister with Water Detection & 0.2 GPH Testing Capability, UL 3. 846397-7XX Stainless Steel (SS) In-Tank Probe with HGP Canister with Water Detection & 0.1 GPH Testing Capability, UL 4. 846397-8XX SS In-Tank Probe with HGP Canister with Water Detection & 0.2 GPH Testing Capability, UL No Leak Detection/Inventory Only Probes 1. 846397-9XX SS In-Tank Probe with HGP Canister with Water Detection & No Leak Detection/Inventory Only, UL	Diesel (Fuel Oil #2)	0.1 GPH static in-tank testing			
		Bio Diesel (Low Density)	0.2 GPH static in-tank testing			
		Bio Diesel (High Density)	0.2 GPH Continuous Statistical Leak Detection (CSLD)			
		Kerosene (Fuel Oil #1)	No Leak Detection / Inventory Only			
		Jet Fuel (Incl JP8)	BIR – AccuChart			
		Fuel Oil #4	Density Range = 700 - 800 kg/m ³			
		Diesel (Fuel Oil #2)				
		Aviation Gas				
Console Compatibility	Maximum Probes / Console	Probe Interface Modules				
TLS-450PLUS (8600 Series)- Minimum Software Version 5B with TLS-XB installed (3 max per system)		64 (32 with BIR)	Module Part #	Module Description	# of Modules per Console	# of Probe Inputs per Module
TLS4i (8601 Series) - Minimum Software Version 5B	4	No module required, probe input capability factory installed				
TLS4c (8601 Series) - Minimum Software Version 5B	2					

Float Installation Kits	Part # & Description	Float Size	Cable Lengths	Min/Max Probe Length
	886001-1X1 Mag-D Diesel Float Kit	2" (5.08cm)	5' (1.5m), 10' (3.05m), 20' (6.1m)	48" (1.2m) - 144" (3.66m)
Other Installation Accessories	312020-952 4" NPT Riser Cap and Ring Kit for In-Tank Probes 330020-282 4" Threaded NPT Riser Cap for In-Tank Probes			
Specifications	Product	Water		
Measurement Accuracy	+/- 0.0300" (0.762mm)	+/- 0.0300" (0.762mm)		
Resolution - One Sample Reading	+/- 0.002857" (0.072571mm)	+/- 0.002857" (0.072571mm)		
Minimum Measurement- 2" (5.08cm) Float Kits	6.367" (16.17cm)	1.495" (3.797cm)		
Operating (Working) Temperature Range	-40 to +122°F (-40 to +50°C)			
Third Party Evaluation / Agency Listings & Links	UL, cUL, ATEX, IECEx http://www.nwglde.org/evals/veeder_root_j.html			
Product Installation Guide Link	https://www.veeder.com/us/technical-document-library			

Example Installation


879-13.eps

Notice

Veeder-Root makes no warranty of any kind with regard to this publication, including, but not limited to, the implied warranties of merchantability and fitness for a particular purpose.

Veeder-Root shall not be liable for errors contained herein or for incidental or consequential damages in connection with the furnishing, performance, or use of this publication.

Veeder-Root reserves the right to change system options or features, or the information contained in this publication.

This publication contains proprietary information which is protected by copyright. All rights reserved. No part of this publication may be photocopied, reproduced, or translated to another language without the prior written consent of Veeder-Root.

Example Illustrations

Illustrations used in this guide for example sensor installations may contain components that are customer supplied and not included with the sensor. Please check with your Veeder-Root Distributor for recommended installation accessories.

Third Party Evaluations

Third party evaluations of the Veeder-Root sensors contained in this application guide can be found under the Veeder-Root vendor name on the National Work Group on Leak Detection Evaluations (NWGLDE) website:

<http://www.nwglde.org>