
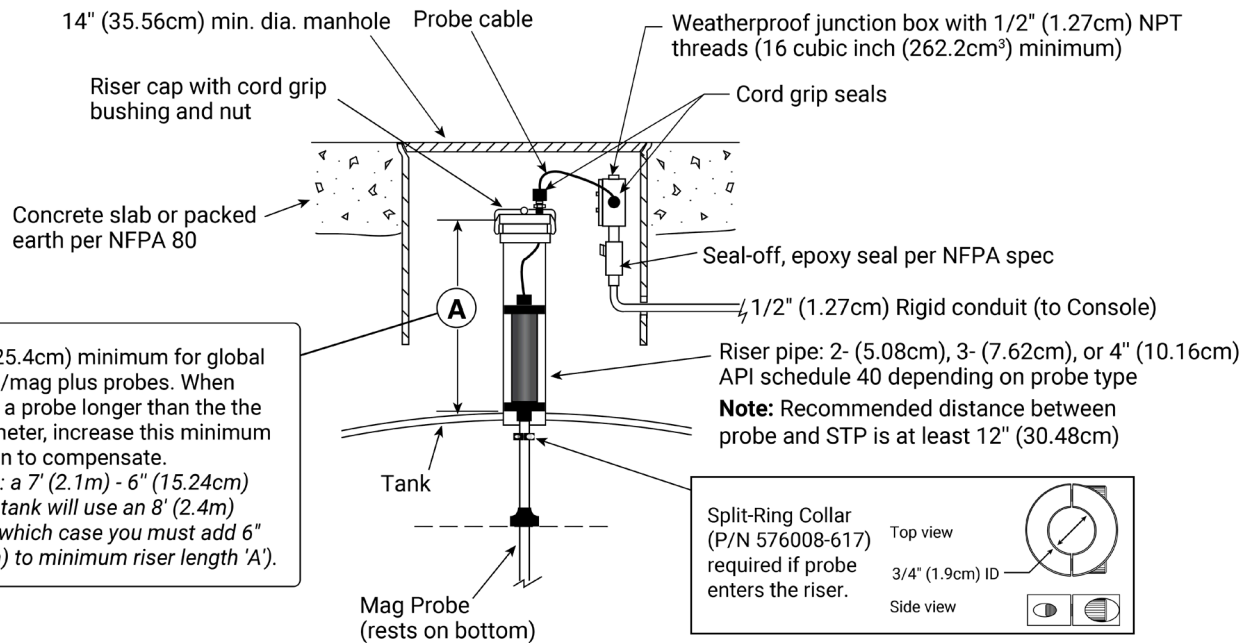


Probe Description & Product Application	<p style="text-align: center;">Stainless Steel Mag Plus In-Tank Probe for Monitoring Jet Fuel Products with No Water Detection in both USTs and ASTs</p>					
Specific Products Monitored / Product Compatibility	Part # & Description		Approved Products		Monitoring Functionality Options	
	<p>No Leak Detection/Inventory Only Probes</p> <p>1. 846397-6XX Stainless Steel (SS) In-Tank Probe with High Grade Polymer (HGP) Canister with No Water Detection & No Leak Detection/Inventory Only, UL</p> <p>2. 846391-6XX SS In-Tank Probe with Aluminum (AL) Canister with No Water Detection & No Leak Detection/Inventory Only, UL</p>		<p>Jet Fuel (incl JP8) Jet Fuel (JP10)</p>		<p>A. No Leak Detection / Inventory Only for USTs & ASTs</p>	
Console Compatibility	Maximum Probes / Console	Probe Interface Modules				
		Module Part #	Module Description	# of Modules per Console	# of Probe Inputs per Module	Availability
TLS-450PLUS (8600 Series)	64	332812-001	Universal Sensor Module (USM) Interface for Probes, Sensors, and DPLLD	Up to 4	16	Sold Separately (either Factory Installed or as a Spare Module)
TLS4i (8601 Series)	4	No module required, probe input capability factory installed				
TLS4c (8601 Series)	2					
TLS-350/R/PLUS	16	329356-002	4-Input Probe Interface Module	4	4	Sold Separately (either Factory Installed or as a Spare Module)
TLS-300i	4	No Module required, probe input capability factory installed				
TLS-300C	2					
Float Installation Kits	Part # & Description		Float Size	Cable Lengths	Min/Max Probe Length	Min/Max Chemical Tank Diameter
	846400-0X4 Mag Plus Alternative Fluids Float Kit - No Water Float		4" (10.16cm)	5', 10', 20'	48" (1.2m) - 144" (3.66m)	N/A
	846400-3X4 Mag Plus Alternative Fluids Float Kit - No Water Float		3" (7.62cm)			
	846400-1X4 Mag Plus Alternative Fluids Float Kit - No Water Float		2" (5.08cm)			
Other Installation Accessories	<p>312020-952 4" (10.16cm) NPT Riser Cap and Ring Kit for In-Tank Probes</p> <p>330020-282 4" (10.16cm) Threaded NPT Riser Cap for In-Tank Probes</p>					

Specifications	Product	Water
Measurement Accuracy	+/- 0.0300" (0.762mm)	N/A
Resolution - One Sample Reading	+/- 0.002857" (0.072571mm)	N/A
Minimum Measurement - 2" (5.08cm) Float Kits	3.23" (8.2cm)	N/A
Minimum Measurement - 3" (7.62cm) Float Kits	3.04" (7.72cm)	N/A
Minimum Measurement - 4" (10.16cm) Float Kits	3.04" (7.72cm)	N/A
Operating (Working) Temperature Range	-40 to +122°F (-40 to +50°C)	N/A
Third Party Evaluation / Agency Listings & Links	http://www.nwglde.org/evals/veeder_root_j.html	
Product Installation Guide Link	https://www.veeder.com/us/technical-document-library	

Example Installation



879-13.eps

Notice

Veeder-Root makes no warranty of any kind with regard to this publication, including, but not limited to, the implied warranties of merchantability and fitness for a particular purpose.

Veeder-Root shall not be liable for errors contained herein or for incidental or consequential damages in connection with the furnishing, performance, or use of this publication.

Veeder-Root reserves the right to change system options or features, or the information contained in this publication.

This publication contains proprietary information which is protected by copyright. All rights reserved. No part of this publication may be photocopied, reproduced, or translated to another language without the prior written consent of Veeder-Root.

Example Illustrations

Illustrations used in this guide for example sensor installations may contain components that are customer supplied and not included with the sensor. Please check with your Veeder-Root Distributor for recommended installation accessories.

Third Party Evaluations

Third party evaluations of the Veeder-Root sensors contained in this application guide can be found under the Veeder-Root vendor name on the National Work Group on Leak Detection Evaluations (NWGLDE) website:

<http://www.nwglde.org>